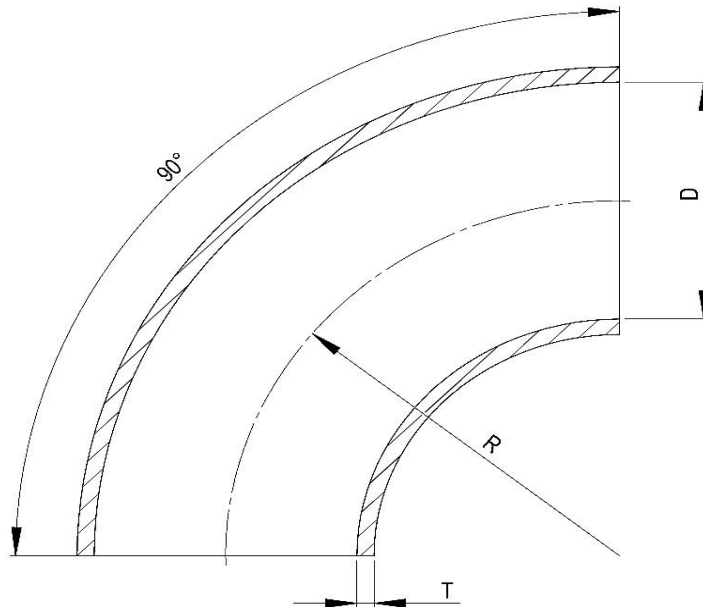


**90dgr Elbows in Derakane 411 or equivalent
Contact moulding - Vinylester resin
2.5 mm inner liner**



DN (mm)	PN (bar)	T (mm)	D (mm)	R (mm)
25	16	4.5	25	50
32	16	5	32	64
40	16	5	40	80
50	16	5	50	100
65	16	6	65	130
80	16	6	80	160
100	16	6.5	100	150
125	16	7	125	190
150	16	8.5	150	225

Disclaimer
FRP-Expert can not accept responsibility for any omissions or inaccuracies due to incomplete or inaccurate information on this website.

FRP Experten
www.frpexpert.com

info@frp-expert.com.
+46 11-46 00 799